

RYOBI
13 in. (330 mm)
PORTABLE PLANER
MODEL NO. AP1300
REPAIR SHEET

RYOBI 13 in. (330 mm) PORTABLE PLANER – MODEL NO. AP1300

2

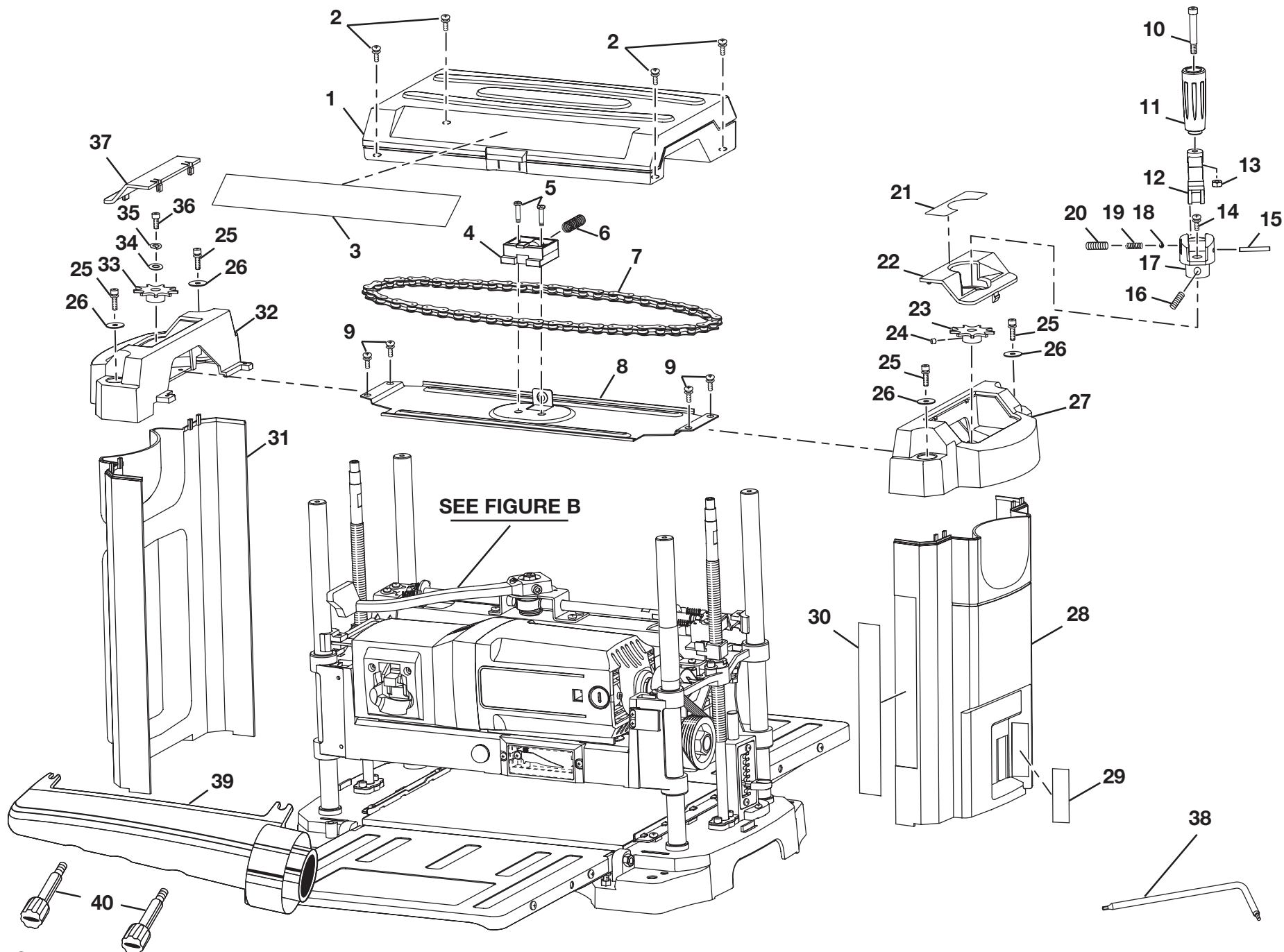


FIGURE A

RYOBI 13 in. (330 mm) PORTABLE PLANER – MODEL NO. AP1300

The model number will be found on a plate attached to the motor housing. Always mention the model number in all correspondence regarding your Planer or when ordering repair parts.

PARTS LIST FOR FIGURE A

KEY NO.	PART NUMBER	DESCRIPTION	QTY.	KEY NO.	PART NUMBER	DESCRIPTION	QTY.
1	900708-000	STORAGE TRAY.....	1	21	866005-030	DEPTH ADJUSTMENT LABEL.....	1
2	020704-002	SCREW.....	4	22	303403-001	COVER (RIGHT).....	1
3	867107-010	LOGO PLATE.....	1	23	060080-000	SPROCKET (RIGHT).....	1
4	303418-000	SLIDE BLOCK.....	1	24	020502-001	SCREW.....	1
5	020136-001	SCREW (SPECIAL).....	2	25	020728-001	SCREW.....	4
6	029158-001	SPRING.....	1	26	021101-001	WASHER.....	4
7	047000-001	CHAIN.....	1	27	225188-000	UPPER COVER (RIGHT).....	1
8	270494-000	COVER PLATE (UPPER).....	1	28	303400-002	SIDE COVER (RIGHT).....	1
9	020704-002	SCREW.....	4	29	866005-031	REPLANE SET LABEL.....	1
10	020137-001	SCREW (SPECIAL).....	1	30	870025-002	DEPTH SCALE LABEL.....	1
11	303419-001	DEPTH ADJUSTMENT HANDLE.....	1	31	303425-002	SIDE COVER (LEFT).....	1
12	225190-001	STUD.....	1	32	225187-000	UPPER COVER (LEFT).....	1
13	022306-001	NUT.....	1	33	060078-000	SPROCKET (LEFT).....	1
14	020704-002	SCREW.....	1	34	021101-001	WASHER.....	1
15	026103-011	SPRING PIN.....	1	35	021200-001	WASHER.....	1
16	020502-001	SCREW.....	1	36	020600-015	SCREW.....	1
17	225189-001	WHEEL BASE.....	1	37	303402-000	COVER (LEFT).....	1
18	044008-000	BALL BEARING.....	1	38	040006-005	HEX KEY.....	1
19	029163-001	SPRING.....	1	39	303476-000	DUST CHUTE.....	1
20	020500-007	SCREW.....	1	40	303475-000	DUST CHUTE KNOBS.....	2

3

WARNING: Improper repair of power tools can result in damage possibly causing electrical shock or electrocution. Any repairs requiring disassembly of your tool requires safety testing and should only be performed by a Ryobi Authorized Service Center. For the service center nearest you call 1-800-525-2579.

RYOBI 13 in. (330 mm) PORTABLE PLANER - MODEL NO. AP1300

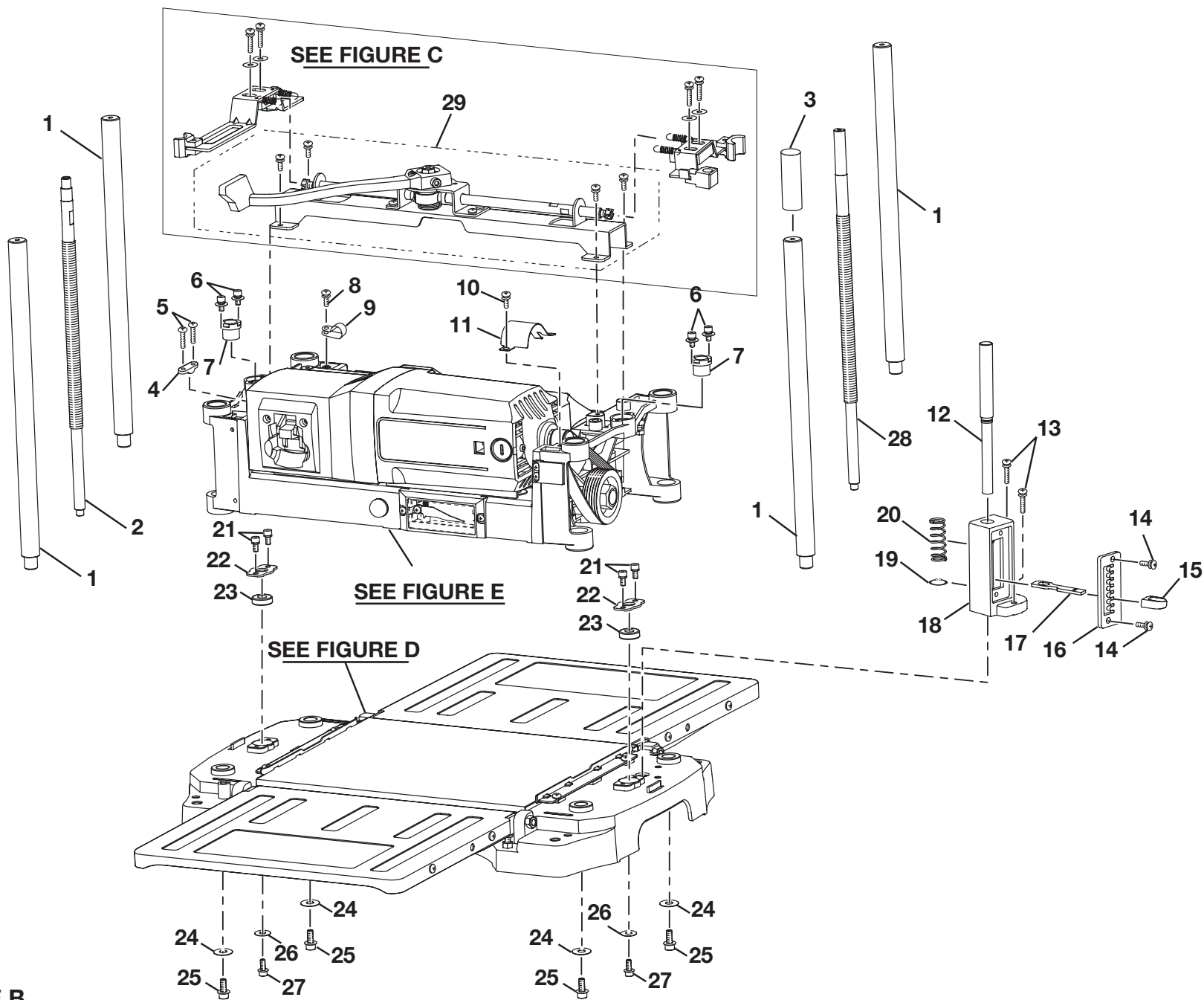


FIGURE B

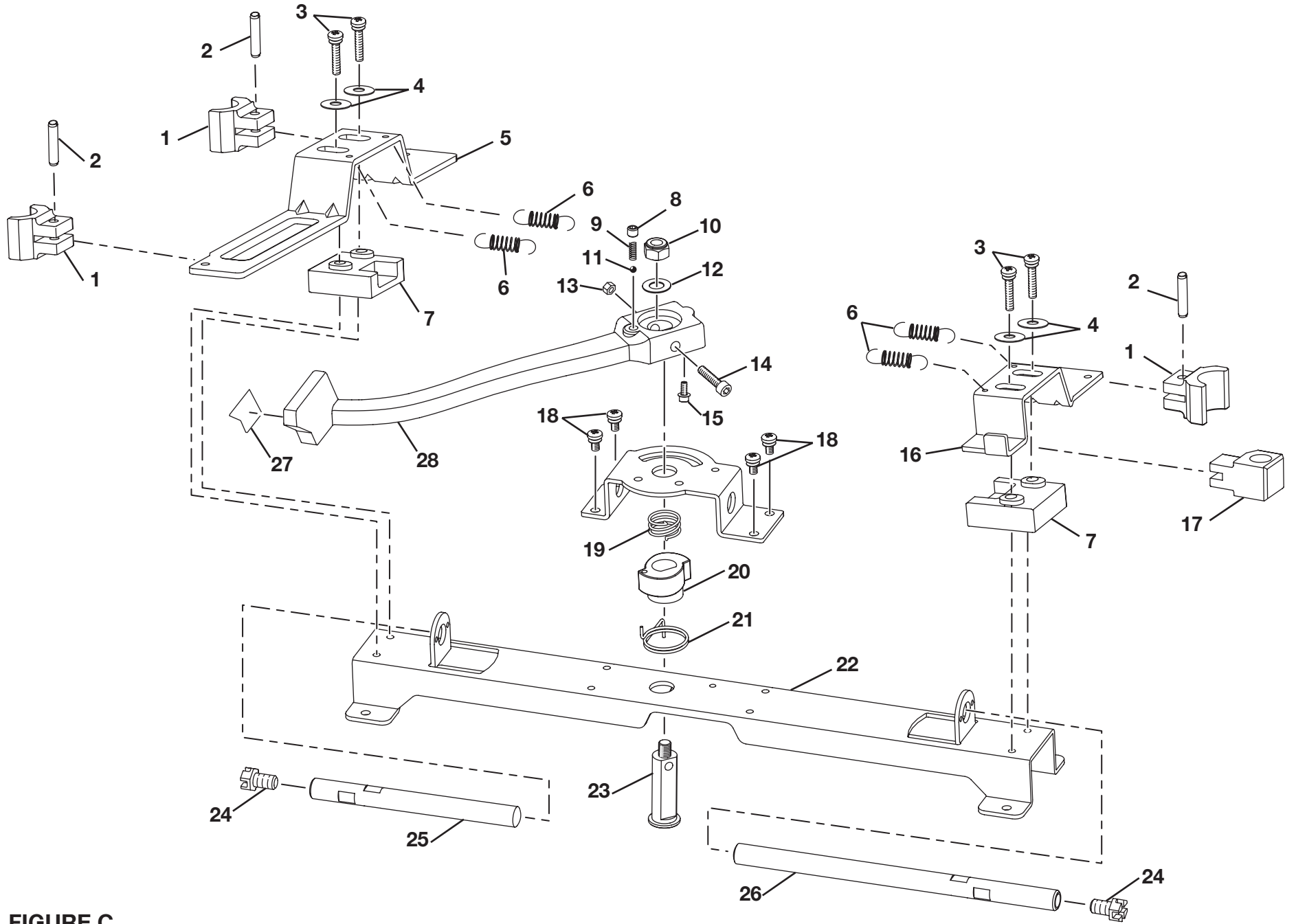
RYOBI 13 in. (330 mm) PORTABLE PLANER – MODEL NO. AP1300

The model number will be found on a plate attached to the motor housing. Always mention the model number in all correspondence regarding your Planer or when ordering repair parts.

PARTS LIST FOR FIGURE B

KEY NO.	PART NUMBER	DESCRIPTION	QTY.	KEY NO.	PART NUMBER	DESCRIPTION	QTY.
1	290156-000	POST	4	15	303420-000	REPLANE INDICATOR.....	1
2	290157-000	THREADED SPINDLE (LEFT)	1	16	270495-000	PLATE	1
3	303399-000	SLEEVE	1	17	270489-000	STOP KNOB PLATE	1
4	303006-001	CABLE CLAMP.....	1	18	225191-000	STOP KNOB HOUSING	1
5	020103-005	SCREW.....	2	19	023102-001	RETAINING RING	1
6	020731-001	SCREW.....	4	20	029161-001	SPRING	1
7	060085-000	SPINDLE LOCK NUT.....	2	21	020729-003	SCREW.....	4
8	020716-077	SCREW.....	1	22	270480-000	PLATE	2
9	913010-004	CORD CLAMP.....	1	23	050007-000	BEARING.....	2
10	020704-002	SCREW.....	1	24	021101-001	WASHER	4
11	270486-000	BELT GUARD	1	25	020728-001	SCREW.....	4
12	290170-000	REPLANE SET STOP	1	26	021125-003	WASHER	2
13	020704-015	SCREW.....	2	27	020730-001	SCREW.....	2
14	020704-002	SCREW.....	2	28	290158-000	THREADED SPINDLE (RIGHT).....	1
				29	900715-001	CUTTER LOCK ASSEMBLY	1

RYOBI 13 in. (330 mm) PORTABLE PLANER – MODEL NO. AP1300



9

FIGURE C

RYOBI 13 in. (330 mm) PORTABLE PLANER – MODEL NO. AP1300

The model number will be found on a plate attached to the motor housing. Always mention the model number in all correspondence regarding your Planer or when ordering repair parts.

PARTS LIST FOR FIGURE C

KEY NO.	PART NUMBER	DESCRIPTION	QTY.	KEY NO.	PART NUMBER	DESCRIPTION	QTY.
1	060086-000	COLUMN LOCK BLOCK.....	3	15	020729-003	SCREW.....	1
2	026103-009	SPRING PIN	3	16	270484-001	LOCK PLATE (RIGHT).....	1
3	020704-017	SCREW.....	4	17	060087-000	SPINDLE LOCK BLOCK.....	1
4	021104-025	WASHER	4	18	020704-002	SCREW.....	4
5	270485-000	LOCK PLATE (LEFT).....	1	19	029164-001	SPRING	1
6	029717-001	RETURN SPRING.....	4	20	060093-000	CLIP LOCK CAM.....	1
7	060088-000	SUPPORT PLATE	2	21	029224-001	RETURN SPRING.....	1
8	020504-007	SCREW.....	1	22	270487-000	LOCK HANDLE HOUSING	1
9	029156-001	SPRING	1	23	290169-000	CAM SHAFT	1
10	022309-001	NUT	1	24	020138-001	SCREW.....	2
11	044006-000	BALL BEARING	1	25	290165-000	TAPPET (LEFT)	1
12	021120-003	WASHER	1	26	290166-000	TAPPET (RIGHT).....	1
13	022111-001	LOCK NUT.....	1	27	866005-038	CUTTER LOCK LABEL.....	1
14	020600-017	SCREW.....	1	28	225186-001	CUTTER LOCK.....	1

RYOBI 13 in. (330 mm) PORTABLE PLANER – MODEL NO. AP1300

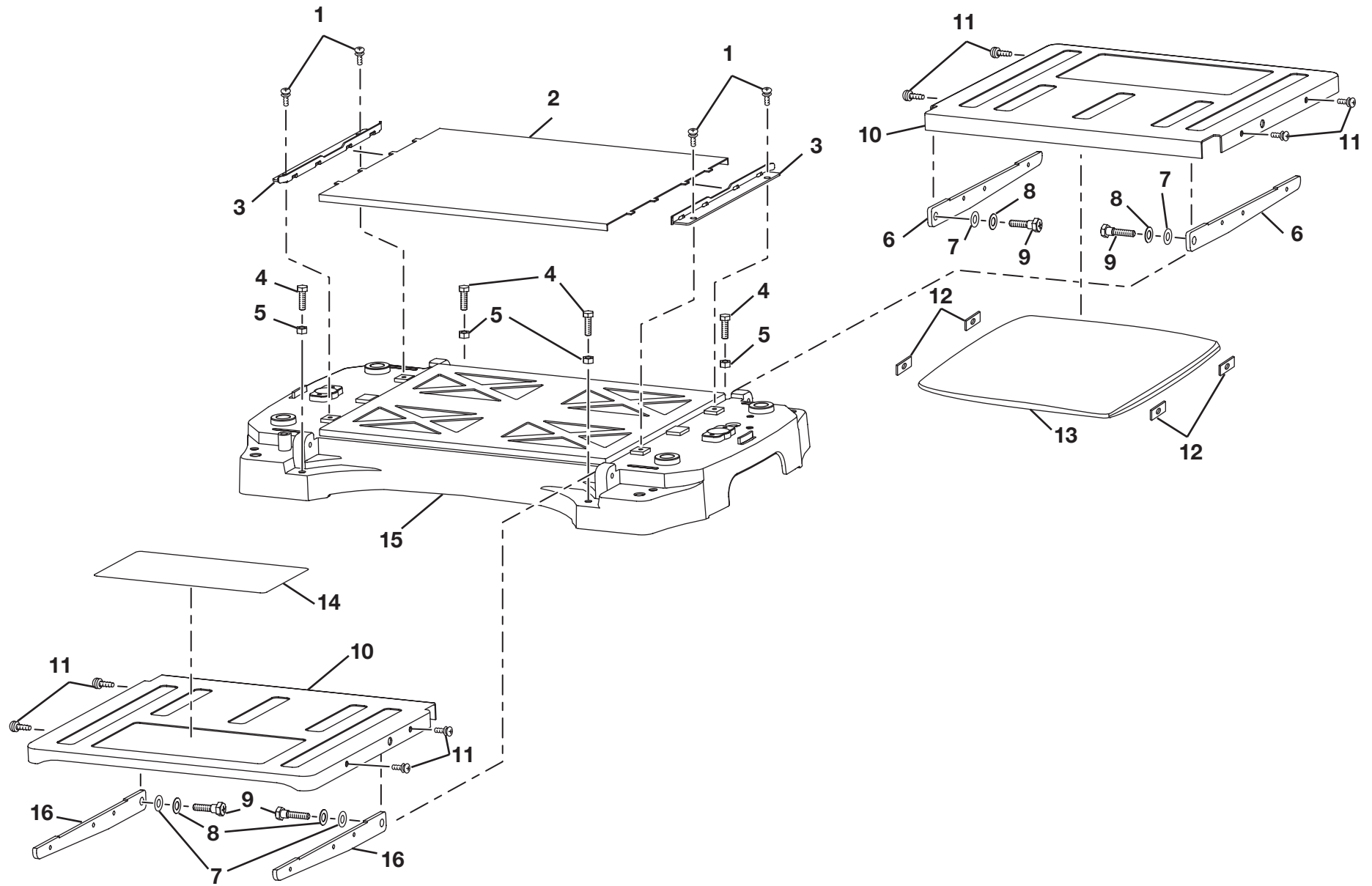


FIGURE D

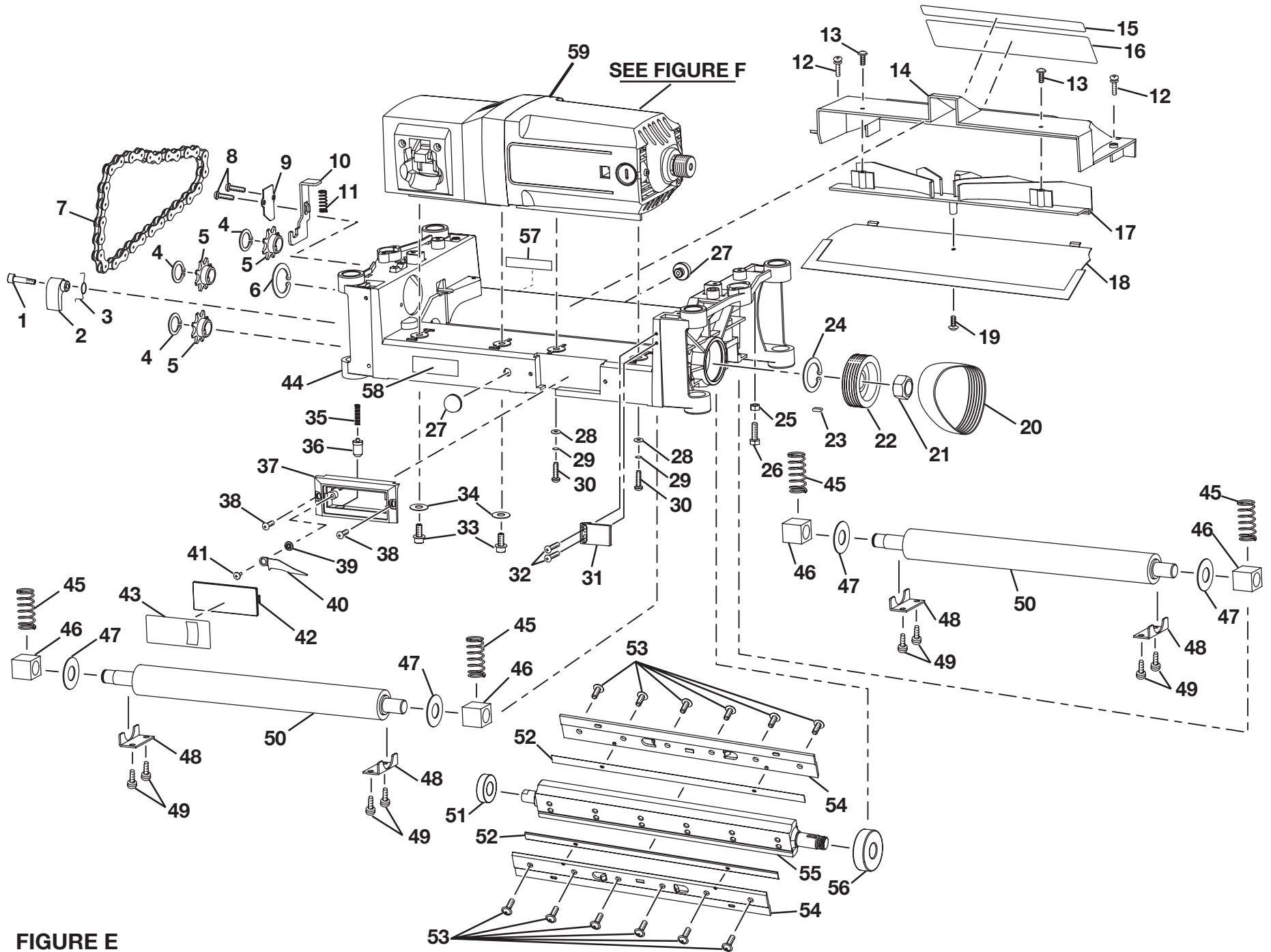
RYOBI 13 in. (330 mm) PORTABLE PLANER – MODEL NO. AP1300

The model number will be found on a plate attached to the motor housing. Always mention the model number in all correspondence regarding your Planer or when ordering repair parts.

PARTS LIST FOR FIGURE D

KEY NO.	PART NUMBER	DESCRIPTION	QTY.
1	020704-002	SCREW	4
2	270478-000	PLANER TABLE.....	1
3	270479-000	GUIDE RAIL.....	2
4	020301-005	STOP SCREW	4
5	022111-001	LOCK NUT	4
6	270496-000	TABLE SUPPORT.....	2
7	021617-001	SPRING WASHER.....	4
8	021120-012	WASHER	4
9	020135-001	SCREW (SPECIAL).....	4
10	270476-002	TABLE EXTENSION.....	2
11	020704-012	SCREW	8
12	270497-000	PLATE.....	4
13	919001-002	CORD STORAGE	1
14	866005-034	DATA AND WARNING LABEL	1
15	225181-000	BASE	1
16	270475-000	TABLE SUPPORT.....	2

RYOBI 13 in. (330 mm) PORTABLE PLANER - MODEL NO. AP1300



10

FIGURE E

RYOBI 13 in. (330 mm) PORTABLE PLANER – MODEL NO. AP1300

The model number will be found on a plate attached to the motor housing. Always mention the model number in all correspondence regarding your Planer or when ordering repair parts.

PARTS LIST FOR FIGURE E

KEY NO.	PART NUMBER	DESCRIPTION	QTY.	KEY NO.	PART NUMBER	DESCRIPTION	QTY.
1	020144-001	SCREW.....	1	31	303502-000	SCALE INDICATOR	1
2	303411-000	CHAIN SUPPORT.....	1	32	020103-019	INDICATOR SCREW.....	2
3	029225-001	SPRING	1	33	020728-003	SCREW.....	2
4	023108-001	RETAINING RING	3	34	021101-001	WASHER	2
5	060084-000	SPROCKET	3	35	029160-001	SPRING	1
6	023106-001	RETAINING RING	1	36	290171-000	GAUGE	1
7	047000-000	CHAIN	1	37	303421-000	DEPTH GAUGE HOUSING.....	1
8	020106-006	SCREW.....	2	38	020132-003	SCREW.....	2
9	270483-000	PLATE	1	39	060094-000	INDICATOR RING	1
10	270482-000	CUTTER BLOCK LOCK BUTTON	1	40	270490-000	DEPTH GAUGE INDICATOR	1
11	029716-001	SPRING	1	41	020132-001	SCREW.....	1
12	020731-001	SCREW.....	2	42	303422-000	DEPTH GAUGE COVER	1
13	020132-001	SCREW.....	2	43	866005-033	PLANING DEPTH LABEL	1
14	303423-000	SAFETY COVER	1	44	225182-003	SLIDING BASE	1
15	866005-037	SAFETY COVER WARNING LABEL	1	45	029159-001	SPRING	4
16	867107-010	LOGO PLATE.....	1	46	060082-000	BEARING BLOCK.....	4
17	303424-000	DUST PLATE	1	47	021523-001	WASHER	4
18	270491-000A	CHIP DEFLECTOR PLATE ASSEMBLY	1	48	270481-000	RETAINER.....	4
19	020132-001	SCREW.....	1	49	020704-004	SCREW.....	8
20	041004-000	DRIVE BELT	1	50	290164-000	FEED ROLLER.....	2
21	022129-001	NUT	1	51	050006-000	BEARING.....	1
22	225183-000	PULLEY	1	52	290202-000	CUTTER BLADE	2
23	027201-001	KEY.....	1	53	020154-001	SOCKET HEAD SCREW.....	12
24	023117-001	RETAINING RING	1	54	290203-000	BLADE BINDER.....	2
25	022111-001	LOCK NUT.....	1	55	290201-000	CUTTER BLOCK	1
26	020301-005	STOP SCREW	1	56	050039-000	BEARING.....	1
27	330051-000	RUBBER BUMPER.....	2	57	866005-036	SAFETY LABEL	1
28	021104-019	WASHER	2	58	866005-035	FEED DIRECTION LABEL	1
29	021202-003	WASHER	2	59	990048-003	MOTOR ASSEMBLY (SEE FIGURE F).....	1
30	020133-000	SCREW.....	2				

RYOBI 13 in. (330 mm) PORTABLE PLANER - MODEL NO. AP1300

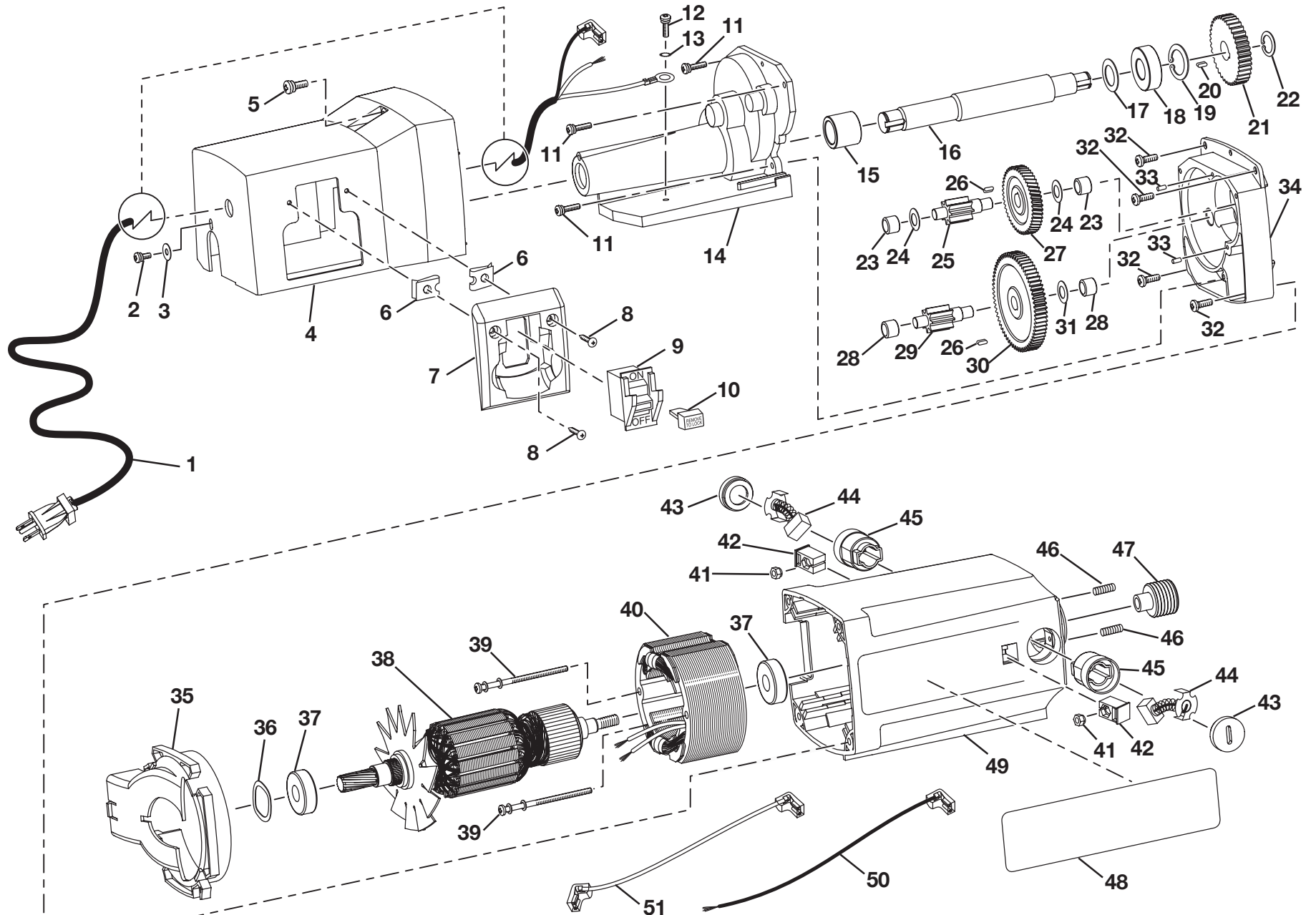


FIGURE F


RYOBI 13 in. (330 mm) PORTABLE PLANER – MODEL NO. AP1300

The model number will be found on a plate attached to the motor housing. Always mention the model number in all correspondence regarding your Planer or when ordering repair parts.

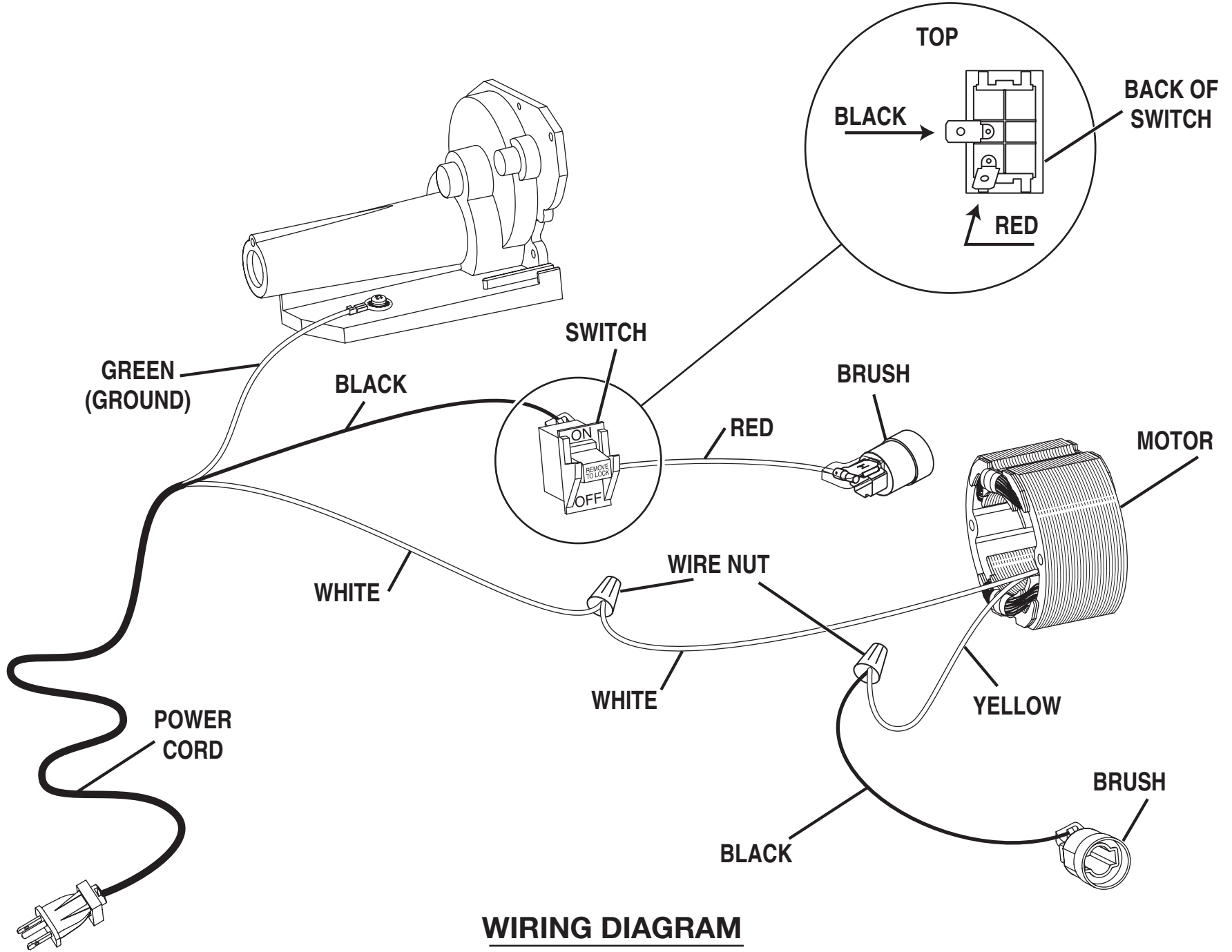
PARTS LIST FOR FIGURE F

Key No.	Part Number	Description	Qty.	Key No.	Part Number	Description	Qty.
1	900739-000	POWER CORD	1	27	110045-000	GEAR.....	1
2	020702-015	SCREW.....	1	28	060095-000	BUSHING	2
3	021105-002	WASHER	1	29	110046-000	PINION	1
4	303415-002	SWITCH HOUSING	1	30	110047-000	GEAR.....	1
5	020704-005	SCREW.....	1	31	021618-000	WASHER	1
6	024503-001	PLATE RETAINER	2	32	020133-000	SCREW.....	4
7	303416-000	SWITCH BOX COVER	1	33	026207-002	PIN.....	2
8	020200-008	SCREW.....	2	34	225184-000	GEAR HOUSING (RIGHT).....	1
9	090042-000	SWITCH.....	1	35	303414-000	WIND GUIDE	1
10	303471-000	SWITCH KEY.....	1	36	021410-001	WASHER	1
11	020702-019	SCREW.....	3	37	050026-100	BALL BEARING	2
12	020702-015	SCREW.....	1	38	162015-001	ARMATURE	1
13	021306-000	LOCK WASHER.....	1	39	020703-001	SCREW.....	2
14	225185-000	GEAR HOUSING (LEFT)	1	40	170022-000	FIELD.....	1
15	060091-000	BUSHING	1	41	022301-001	NUT	2
16	290168-000	SPINDLE.....	1	42	303002-001	NUT HOLDER.....	2
17	021619-000	WASHER	1	43	303303-000	BRUSH CAP	2
18	060090-000	BUSHING	1	44	375001-003	BRUSH	2
19	023106-001	RETAINING RING	1	45	303302-000	BRUSH HOLDER.....	2
20	026207-002	PIN.....	1	46	020502-001	SCREW.....	2
21	110048-000	GEAR.....	1	47	060083-000	MOTOR PULLEY	1
22	023113-002	RETAINING RING	1	48	866005-029	RAPIDSET LOGO PLATE.....	1
23	060089-000	BUSHING	1	49	303417-002	MOTOR HOUSING.....	1
24	021620-000	WASHER	1	50	080331-012	BLACK LEAD WITH TERMINALS.....	1
25	110044-000	PINION	1	51	080331-011	ARMATURE WIRE (RED)	1
26	027200-003	KEY.....	1		983000-045R	OPERATOR'S MANUAL	
					04-21-04		

13

 **WARNING:** Improper repair of a power tool can result in damage possibly causing electrical shock or electrocution. Any repairs requiring disassembly of your tool requires safety testing and should only be performed by a Ryobi Authorized Service Center. For the service center nearest you call 1-800-525-2579.

RYOBI 13 in. (330 mm) PORTABLE PLANER – MODEL NO. AP1300



WIRING DIAGRAM